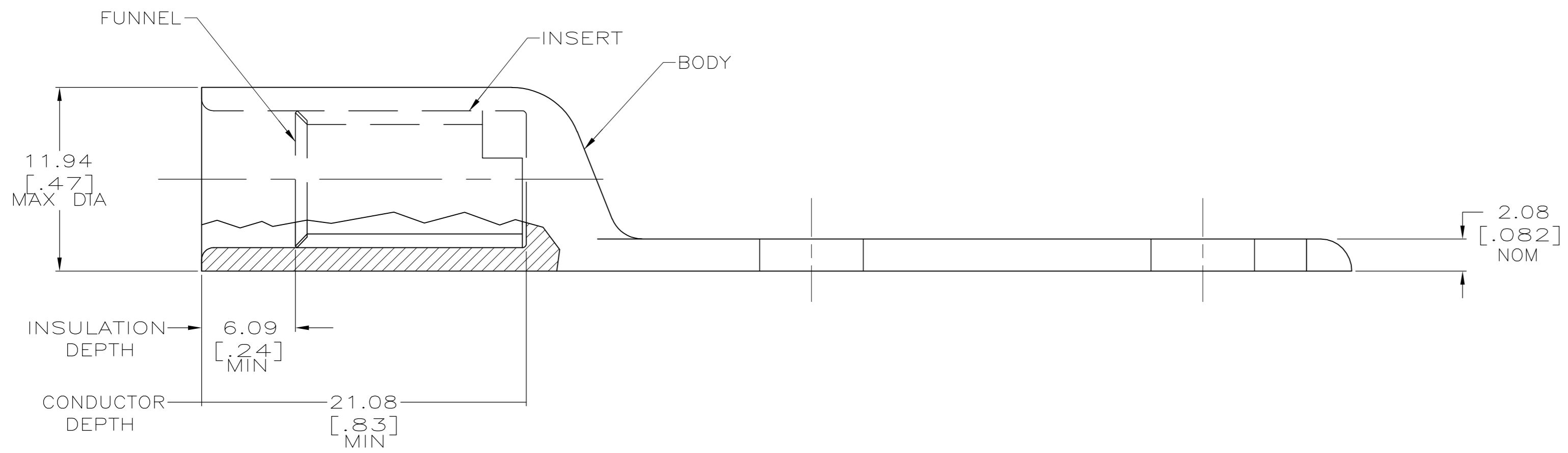
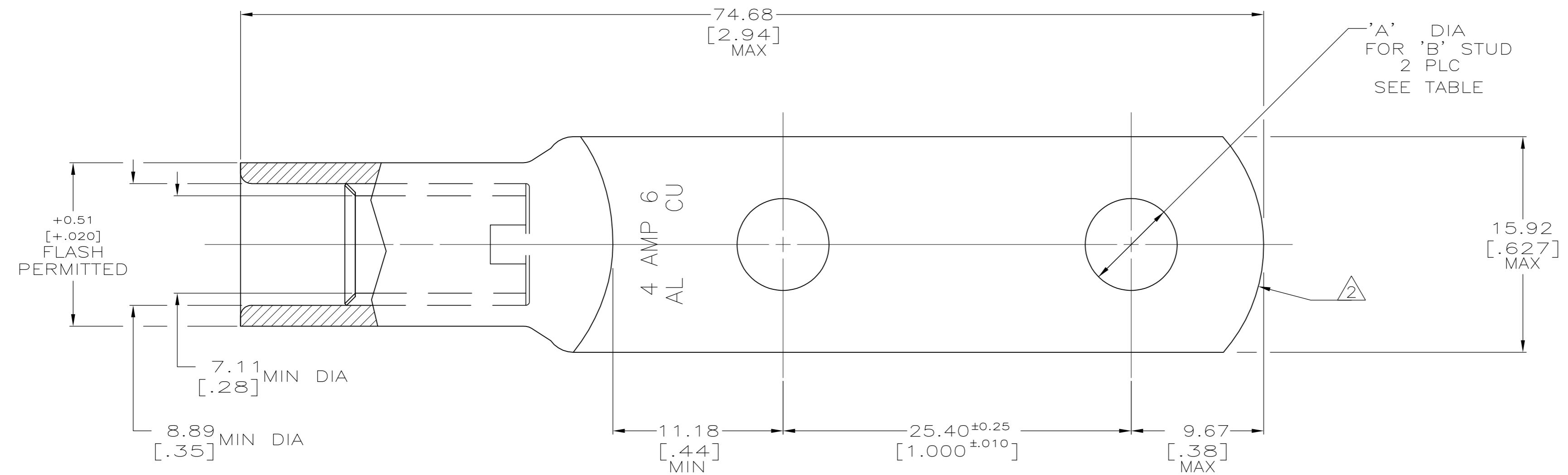


THIS DRAWING IS UNPUBLISHED. RELEASED FOR PUBLICATION  
 © COPYRIGHT BY TYCO ELECTRONICS CORPORATION. ALL RIGHTS RESERVED.

LOC		DIST		REVISIONS					
G		86		P	LTR	DESCRIPTION	DATE	DWN	APVD
				E		REV PER ECR 08-004985	26FEB08	JR	MS



- 1 WIRE INSULATION: 7.01[.276] - 7.75[.305] DIA
- △ THE TONGUE RADIUS FEATURE IS NOT A TOOLING CONTROLLED DIMENSION AND MAY NOT BE A TRUE RADIUS.

25 GRAMS	9.91 <sup>±0.13</sup> [.390 <sup>±0.005</sup> ]	3/8	BODY: COPPER ASTM-B187 ANNEALED TIN PL MIL-T-10727 0.00457[.000150] MIN THK	55833-2
26 GRAMS	6.73 <sup>±0.08</sup> [.265 <sup>±0.003</sup> ]	1/4	INSERT & FUNNEL: BRASS PER ASTM B36 NICKEL PLATE SAE AMS QQ-N-290A, DATED JULY 2000, 0.00254 [.000100] MIN THK	55833-1
WEIGHT	"A"	"B"	MATERIAL AND FINISH	PART NO.

THIS DRAWING IS A CONTROLLED DOCUMENT.		DWN	DK SCHRUM	6/15/92	Tyco Electronics Corporation Harrisburg, PA 17105-3608
DIMENSIONS: MM [ INCHES ]		CHK	WJ VOCKROTH	6/16/92	
TOLERANCES UNLESS OTHERWISE SPECIFIED:		APVD	AJ KAUFMAN	6/16/92	
0 PLC ± - 1 PLC ± - 2 PLC ± - 3 PLC ± - 4 PLC ± - ANGLES ± - FINISH SEE TABLE		NAME	AJ KAUFMAN		
MATERIAL SEE TABLE		PRODUCT SPEC	108-11011		WIRE TERMINAL, COPALUM SEALED, RING TONGUE, WIRE SIZE: 4 AL, 6 COPPER
		APPLICATION SPEC	114-2134		RESTRICTED TO
		WEIGHT	SEE TABLE		SIZE
		CUSTOMER DRAWING	SCALE	4:1	SHEET
					1 of 1
					REV
					E